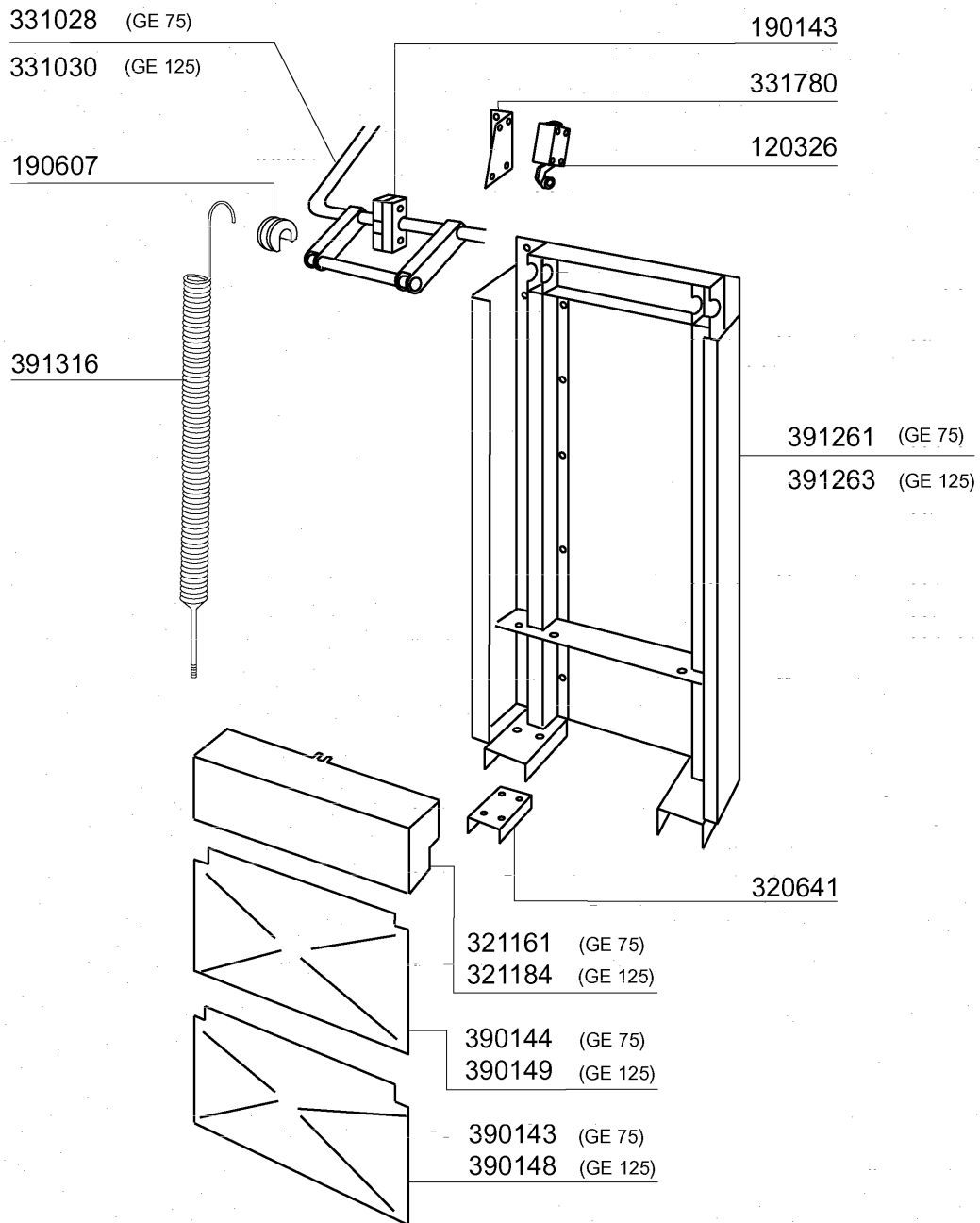


351554 * Doppia Parete - Double Paroi - Double Skin - Doppelwand - Dobra Pared

05 - 2007 | S. AG.

2 - Hood

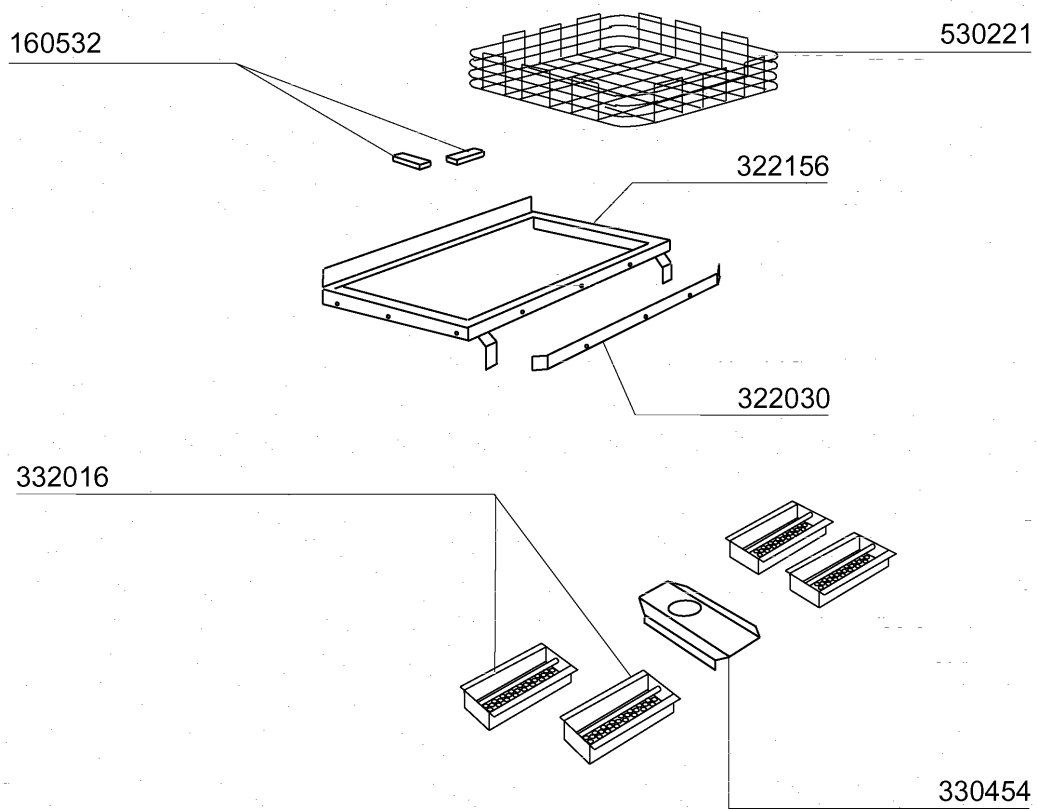
| CODE | DESCRIPTION |
|-------------|--------------------------------|
| 160529 | SLIDING BLOCK FOR DOOR |
| 160833 | GASKET 17X8,4 TH 0,75 TEFL |
| 180626 | GUIDE FOR DOOR G75-G125 |
| 190643 | BUSH FOR DOOR HANDLE G75-125L- |
| 320709 | SPLASH GUARD G65-115 |
| 322031 | CONNECTION PLATE FOR G75 DOORS |
| 322208 | SUPPORT GUARD G75 |
| 323077 | CENTRAL DOOR GE75 |
| 323078 | RIGHT DOOR GE75 |
| 323079 | LEFT DOOR GE75 |
| 330112 | PLATE GUIDE FOR DOOR HANDLE G7 |
| 331028 | HANDLE G75L |
| 341534 | HOOD G75L |
| 341926 | PIN FOR HANDLE G75-125 |
| 351554 | INSULATION PANEL |



04 - 2005 S. AG.

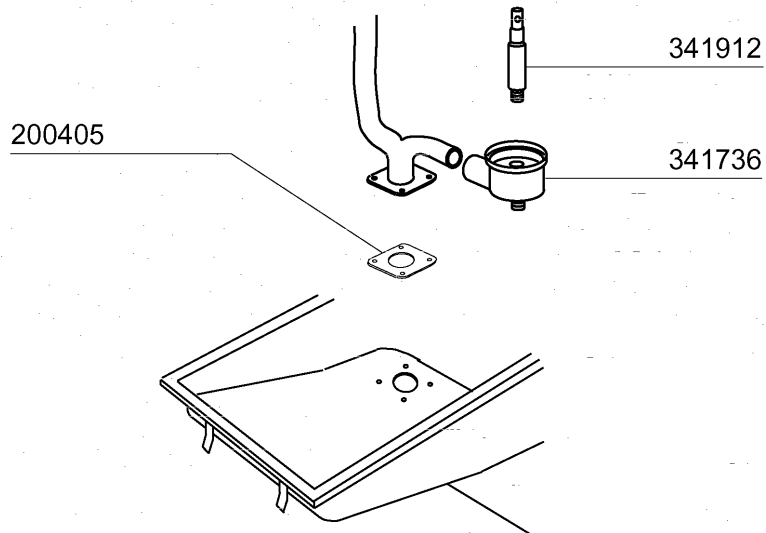
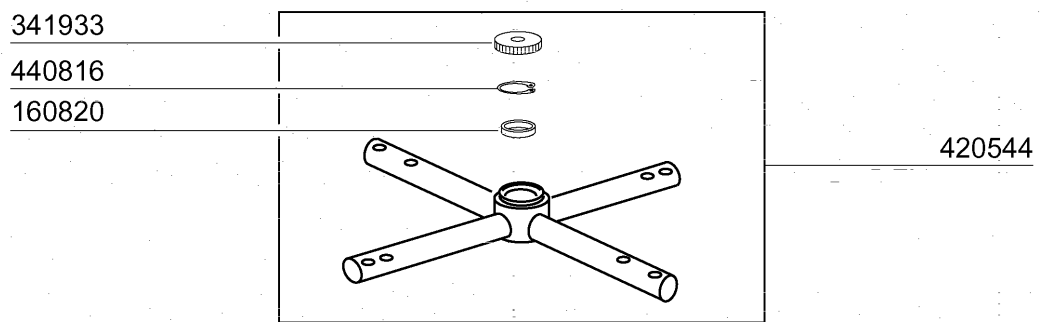
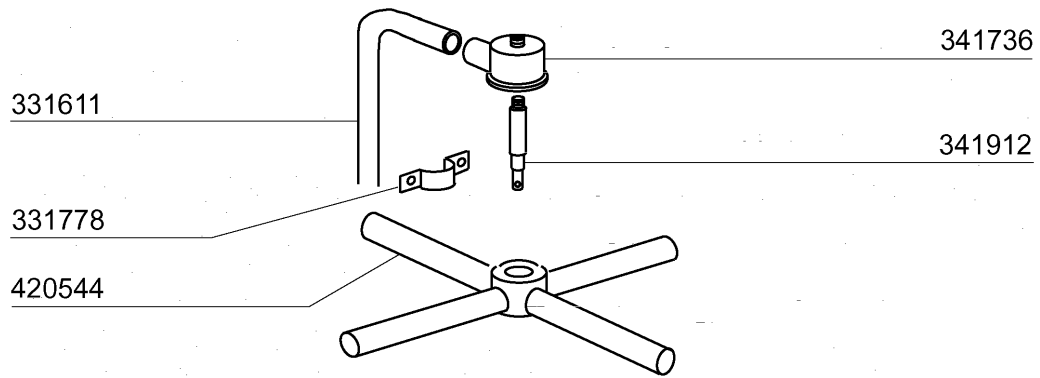
3 - Handle

| CODE | DESCRIPTION |
|-------------|-------------------------------|
| 120326 | MICRO SWITCH FD 102 |
| 190143 | HANDLE SUPPORT FOR G75L-125L |
| 190607 | HANDLE BUSH C30-70 |
| 320641 | PLATE |
| 321161 | COVER |
| 321184 | COVER |
| 331028 | HANDLE G75L |
| 331030 | HANDLE G125L |
| 331780 | BRACKET FOR MICRO SWITCH |
| 390143 | LOWER BACK PANEL G75L |
| 390144 | UPPER BACK PANEL G75L |
| 390148 | LOWER BACK PANEL G125L |
| 390149 | UPPER BACK PANEL G125L |
| 391261 | FRAME |
| 391263 | FRAME |
| 391316 | SPRING FOR HANDLE C85/140-G75 |



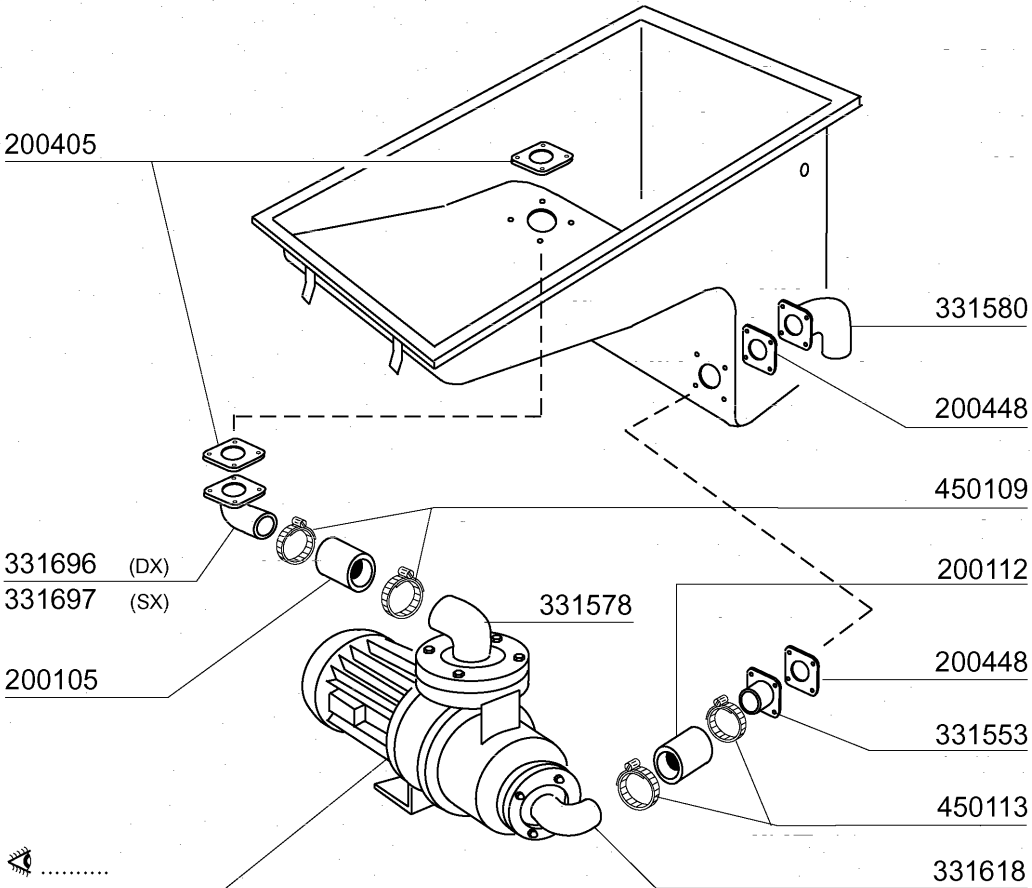
4 - Rack and strainers

| CODE | DESCRIPTION |
|--------|--------------------------------|
| 160532 | SLIDING BLOCK FOR G75 RACK |
| 322030 | PLATE FOR RACK GUIDE G75 |
| 322156 | GUIDE |
| 330454 | CENTRAL SUPPORT FOR FILTERS GL |
| 332016 | TANK FILTER G65L-G115L |
| 530221 | RACK 700X700 GE75 |



5 - Wash Column

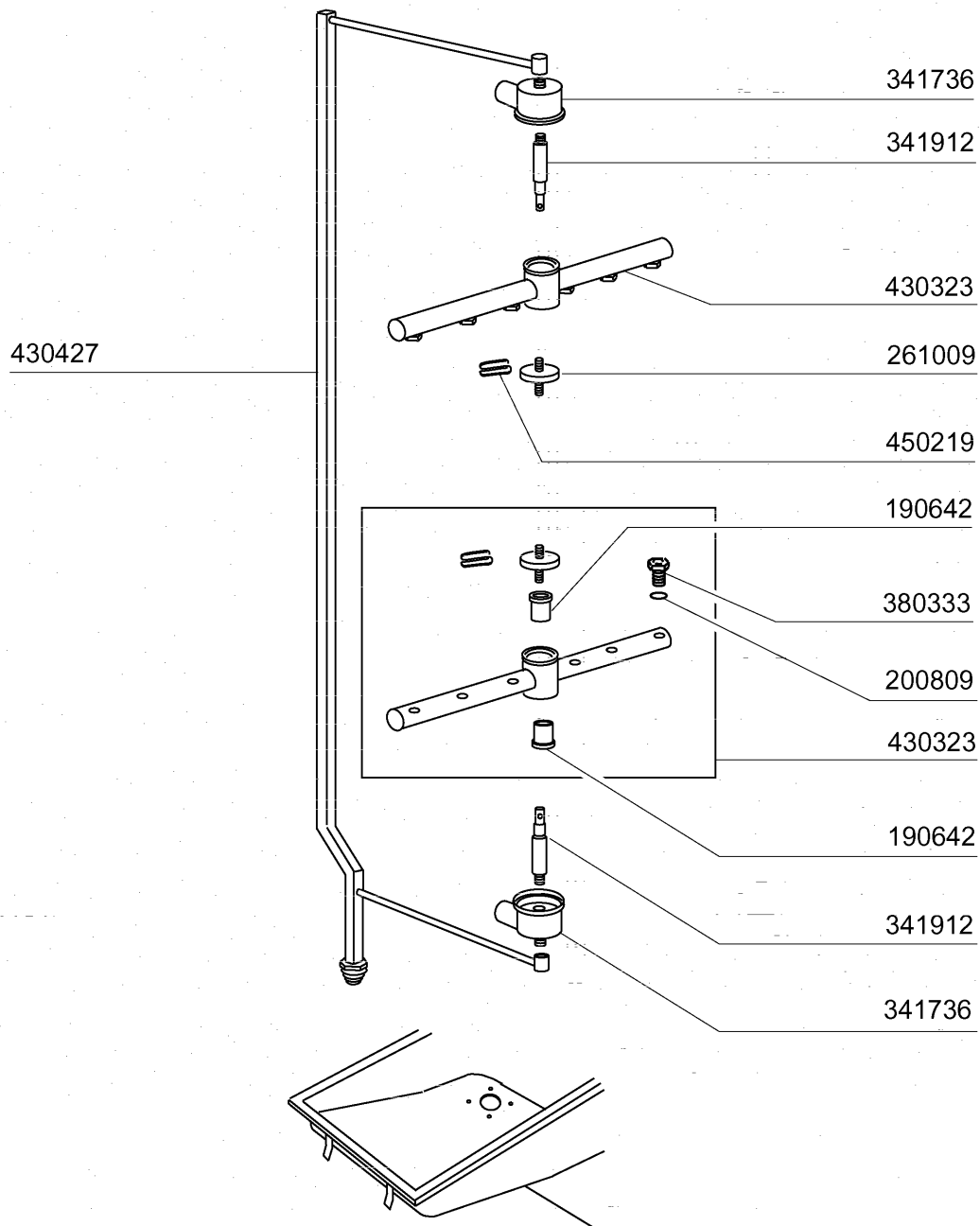
| CODE | DESCRIPTION |
|--------|--------------------------------|
| 160820 | WASHER 47,5X25X11 G66-131 |
| 200405 | GASKET 110X100X63 IN NEOTEN |
| 331611 | WASH COLUMN GL |
| 331778 | BRACKET FOR WASH COLUMN |
| 341736 | WASH ARM SUPPORT |
| 341912 | SPINDLE FOR GL WASH ARM |
| 341933 | NUT FOR WASH ARM GL |
| 420544 | WASH ARM GL |
| 440816 | STAINL.ST.SEAL. RING D.48 UNI3 |



04 - 2005 S. AG.

6 - Wash Tank/Pump

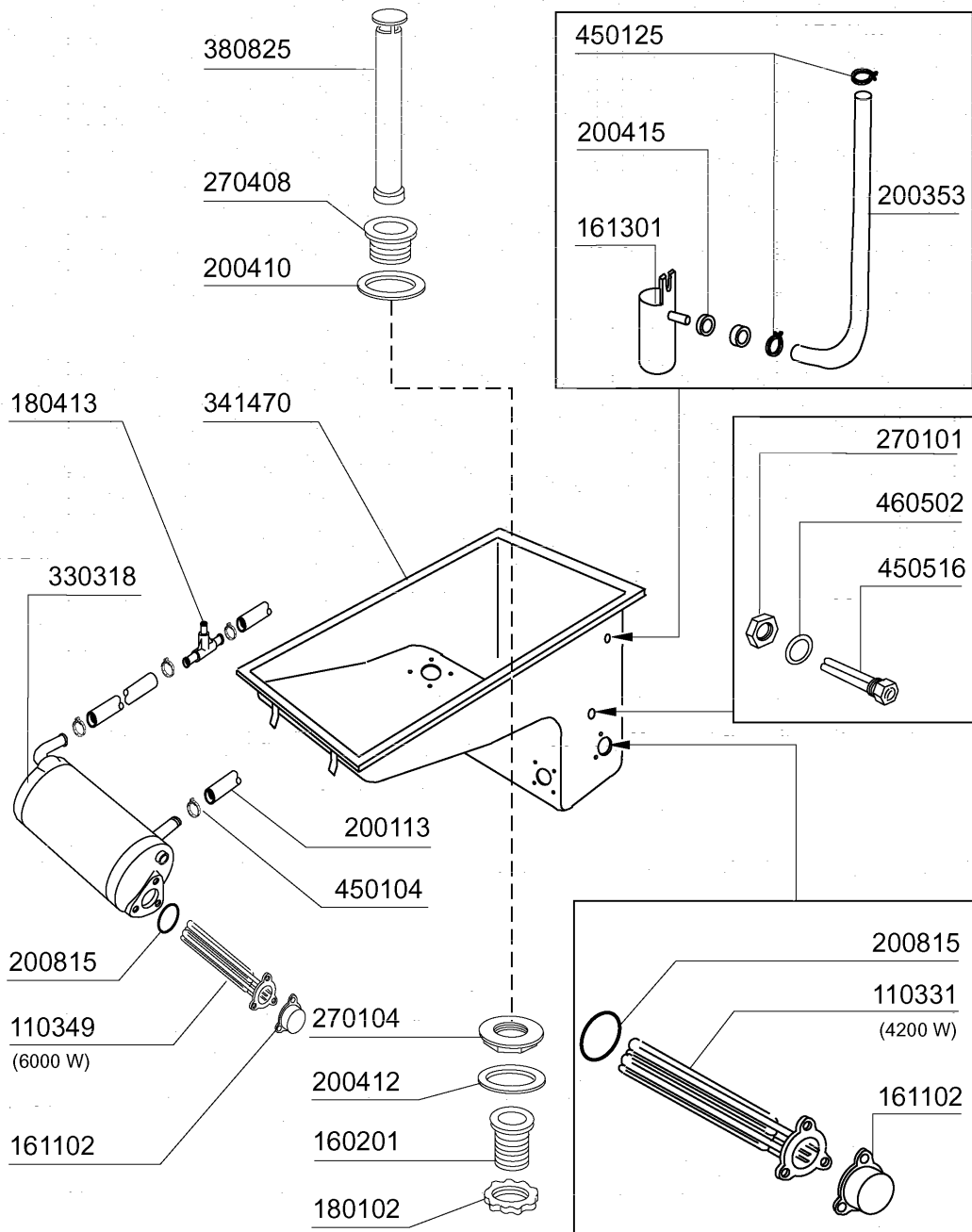
| CODE | DESCRIPTION |
|--------|--------------------------------|
| 200105 | RUBBER HOSE 50X60 |
| 200112 | RUBBER TUBE 75X83 |
| 200405 | GASKET 110X100X63 IN NEOTEN |
| 200448 | GASKET 100X100X3 HOLE D.76 |
| 331553 | INLET ELBOW FOR NG-GL WASH PUM |
| 331578 | DELIVERY ELBOW FOR G75 WASH PU |
| 331580 | INLET ELBOW FOR G75 WASH TANK |
| 331618 | SUCTION HOSE WITH FLANGE FOR G |
| 331696 | ELBOW FOR WASH COLUMN G115-125 |
| 331697 | ELBOW FOR WASH COLUMN G |
| 450109 | CLAMP 50-65 |
| 450113 | STAINL.STEEL CLAMPS D.83 |



04 - 2005 | S. AG.

7 - Rinse arm

| CODE | DESCRIPTION |
|-------------|--------------------------------|
| 190642 | BUSH FOR S/S RINSE ARM "G" |
| 200809 | OR GASKET 1,78X8,73X12,29 |
| 261009 | RETAIN.SCREW FOR WASH-RINSE AR |
| 341736 | WASH ARM SUPPORT |
| 341912 | SPINDLE FOR GL WASH ARM |
| 380333 | S/S JET OV120 80LT 1/8" |
| 430323 | RINSE ARM GL65-75-115-125 |
| 430427 | RINSE COLUMN GL |
| 450219 | SPRING F.RINSE ARM RETAIN.SCRE |

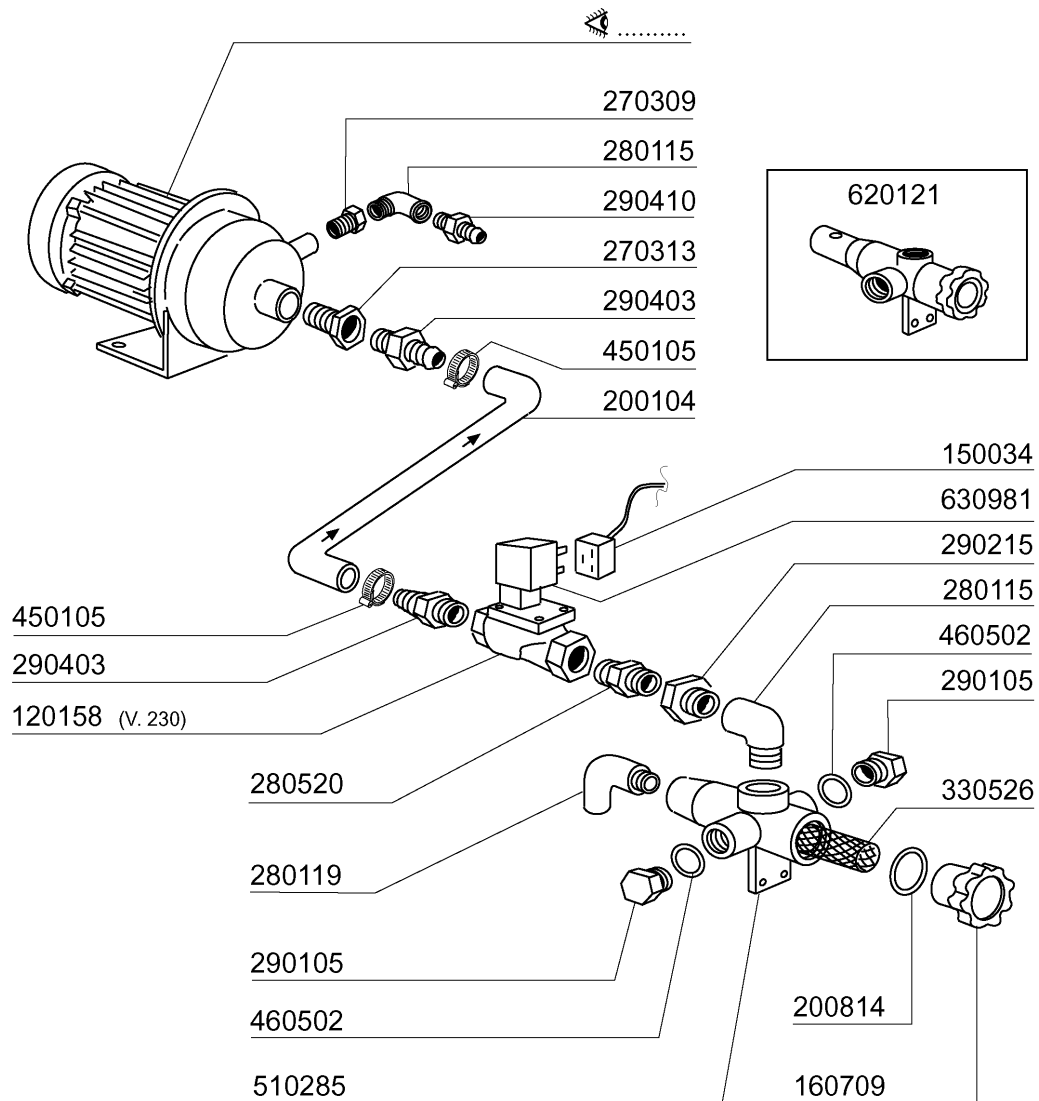


04 - 2005 | S. AG.

8 - Wash and rinse

| CODE | DESCRIPTION |
|-------------|--------------------------------|
| 110331 | HEAT.ELEMENT 4200W 230/400V |
| 110349 | HEAT.ELEMENT 6000W 230/400V |
| 160201 | ELBOW F.TANK INLET MOPLN |
| 161102 | ELEMENT COVER MOPL. |
| 161301 | AIR TRAP F2 C34-F45 |
| 180102 | DRAIN PIPE NUT 1"1/2 F45-55 |
| 180413 | TEE NIPPLE D.11,5 - RINSE ASSE |
| 200113 | RUBBER HOSE 12 X 22 |
| 200353 | PRESS.SWITCH HOSE B23-10-1-2-C |
| 200410 | DRAIN OUTL.WASH.1 1/2"65X47X2 |
| 200412 | GASKET DRAIN 11/2" 45X33X3 |
| 200415 | AIR TRAP GASKET -F2 18,5X10X3 |
| 200815 | O-RING F. HEAT.ELEM. |
| 270101 | HEXAGON LOCK NUT 1/2" |
| 270104 | LOCK NUT 1" 1/2 |
| 270408 | DRAIN OUTLET S/S FOR G75-125 D |
| 330318 | BOILER G65-75 |
| 341470 | TANK |
| 380825 | OVERFLOW PIPE S/S 510MM FOR G7 |
| 450104 | CLAMP FE ZN H=12,5 15-24 |
| 450125 | ELASTIC CLAMP D. 10,4X9,8 |
| 450516 | THERMOSTAT SHIELD FOR 2 TERMOS |
| 460502 | GASKET 30X21X2 |

9 - Solenoid valve rinse pump

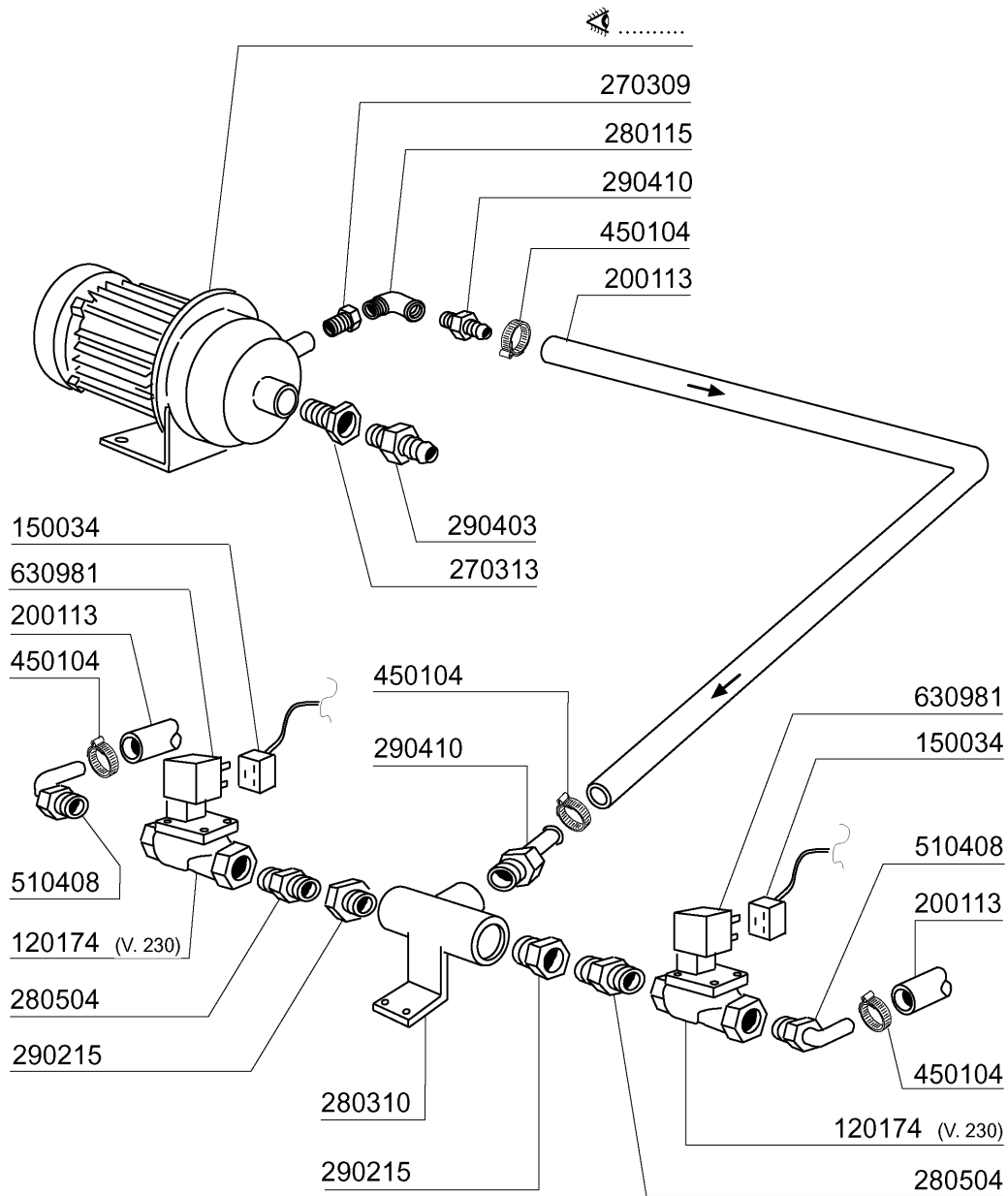


03 - 2006 | S. AG.

9 - Solenoid valve rinse pump

| CODE | DESCRIPTION |
|--------|--------------------------------|
| 120158 | SOLEN. VALVE 3/4 L180Q17 240V |
| 150034 | CONNEC.F.SOLEN.VALVE 122.09.N |
| 160709 | KNOB OF MANIFOLD F. SOLEN. VAL |
| 200104 | DISCHARGE HOSE 20X30 |
| 200814 | O-RING 34,52X41,58X3,53 |
| 270309 | CONNECTION 1"-1/2" |
| 270313 | CONNECT.1 1/4" - 3/4" |
| 280115 | ELL 1/2" |
| 280119 | ELL MF 3/4" |
| 280520 | CONNECTION 3/4" |
| 290105 | BRASS-TE-PLUG 1/2" |
| 290215 | 1/2"BSP M/F UNION BRASS |
| 290403 | NIPPLE M.3/4" BRASS |
| 290410 | NIPPLE 1/2" |
| 330526 | FILTERS 22X28 SOLENOID V.MANIF |
| 450105 | CLAMP FE ZN. 26-38 H=12,2 |
| 460502 | GASKET 30X21X2 |
| 510285 | SOLENOID VALVE MANIFOLD - BRAS |
| 620121 | TWIN SOLENOID VALVE MANIFOLD |
| 630981 | COIL Z610 220/240V 50/60HZ |

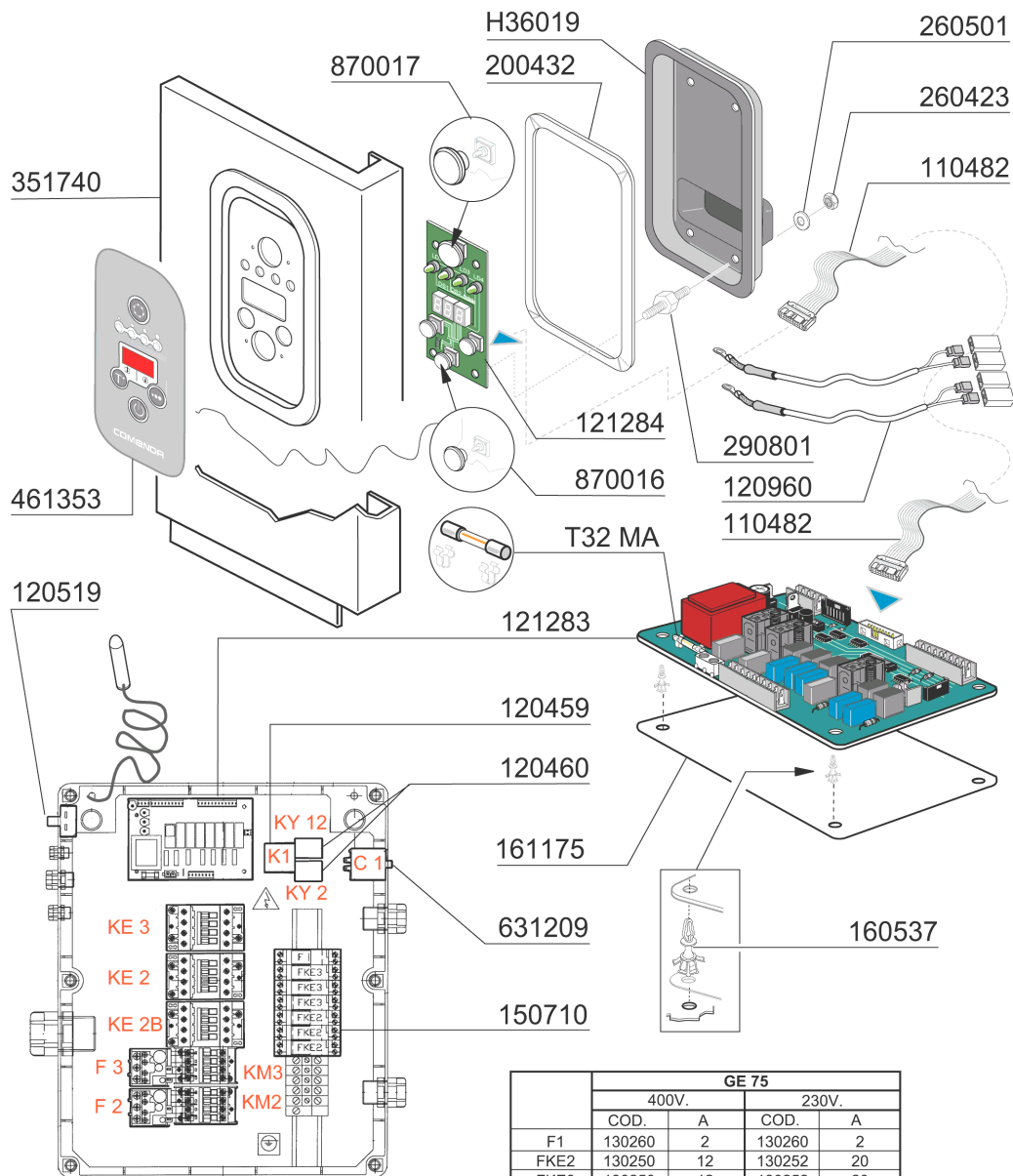
10 - Rinse solenoid valve



03 - 2006 | S. AG.

10 - Rinse solenoid valve

| CODE | DESCRIPTION |
|-------------|--------------------------------|
| 120174 | SOLEN. VALVE L180V31 1/2"-V220 |
| 150034 | CONNEC.F.SOLEN.VALVE 122.09.N |
| 200113 | RUBBER HOSE 12 X 22 |
| 270309 | CONNECTION 1"-1/2" |
| 270313 | CONNECT.1 1/4" - 3/4" |
| 280115 | ELL 1/2" |
| 280310 | TEE-CONNECTION 1/2" |
| 280504 | MANIFOLD CONN.HOSE |
| 290215 | 1/2"BSP M/F UNION BRASS |
| 290403 | NIPPLE M.3/4" BRASS |
| 290410 | NIPPLE 1/2" |
| 450104 | CLAMP FE ZN H=12,5 15-24 |
| 510408 | CONNECTION 90° 1/2" |
| 630981 | COIL Z610 220/240V 50/60HZ |



| | GE 75 | | | |
|------|--------|-------|--------|-------|
| | 400V. | | 230V. | |
| | COD. | A | COD. | A |
| F1 | 130260 | 2 | 130260 | 2 |
| FKE2 | 130250 | 12 | 130252 | 20 |
| FKE3 | 130250 | 12 | 130252 | 20 |
| KE2 | 120477 | 9 | 120477 | 9 |
| KE2B | 120477 | 9 | 120477 | 9 |
| KE37 | 120477 | 9 | 120477 | 9 |
| KM2 | 120477 | 9 | 120477 | 9 |
| KM3 | 120488 | 12 | 120488 | 12 |
| F2 | 120860 | 1/1,4 | 120863 | 2,8/4 |
| F3 | 120865 | 6/8,5 | 120867 | 10/14 |

01 - 2007 | S. AG.

11 - Control box

| CODE | DESCRIPTION |
|--------|--------------------------------|
| 110482 | CABLE FOR PCB FC-C-GE |
| 120459 | AUXIL.RELE 16A 220V |
| 120460 | RELAY 16A 220V |
| 120477 | CONTACTOR ABB 9A 220V 50/60HZ |
| 120488 | CONTACTOR ABB 12A 220V 50/60HZ |
| 120519 | SECURITY THERMOSTAT 95-125Ø |
| 120860 | OVERLOAD RELAY ABB 1-1,4A |
| 120863 | OVERLOAD RELAY ABB 2,8-4A |
| 120865 | OVERLOAD RELAY ABB 6-8,5A |
| 120867 | OVERLOAD RELAY ABB 10-14A |
| 120960 | PROBE C-G |
| 121283 | ELECTRONIC PANEL "C-GE" |
| 121284 | ELECTRONIC CONTROL PANEL C-GE |
| 130250 | FUSE 12A GF 12312 |
| 130252 | FUSE 20A GF 12320 |
| 130260 | FUSE 10,3X38 2A AM 13001 |
| 150710 | FUSE CARRIER 10,3X38 ART.21401 |
| 160537 | ELECTRONIC CARD SPACER |
| 161175 | PROTECTION |
| 200432 | SPONGY RUBBER ADHESIV 8X4 NEOP |
| 260423 | SELF-LOCKING NUT M3 |
| 260501 | STAINL.STEEL FLAT WASHER D3 UN |
| 290801 | FIXING SCREW |
| 351740 | CONTROL PANEL GE |
| 461353 | PLATE C-GE ELECTRONIC |
| 631209 | ANTI-NOISE FILTER |
| 870016 | LITTLE SWITCH FOR PCB |
| 870017 | BIGGER SWITCH FOR PCB |
| H36019 | COVER FOR GE PCB |

630518
631661 (Ø 122)
200848
630128

HP 0,75 / Kw 0,55 **(CEA 120/2)**

100698 220/240 - 380/415 50 Hz
100705 220/240 - 380/415 60 Hz
100699 255/440 60 Hz

630529
200848
630128

631661 50 Hz (Ø 122)
631696 60 Hz

HP 0,75 / Kw 0,55 **(CEA 120/2/A)**

100789 220/240 - 380/415 50 Hz
100792 220/240 - 380/415 60 Hz
100793 255/440 60 Hz

630520

631693 50 Hz (Ø 116)
631694 60 Hz (Ø 90)

200948
460526
460525

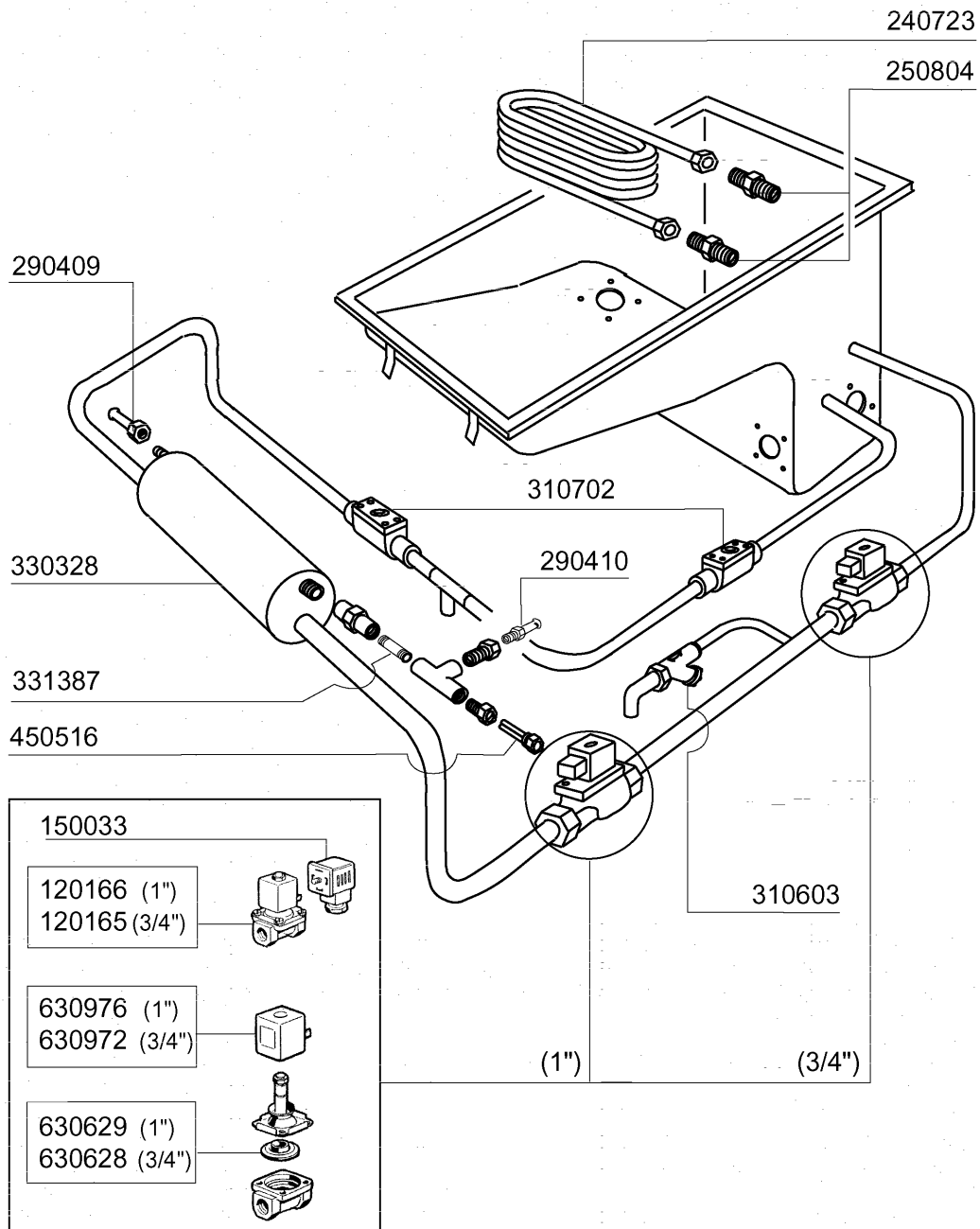
HP 4 / Kw 3 **(SHE 50)**

100697 220/240 - 380/415 50 Hz
100709 220/240 - 380/415 60 Hz

04 - 2005 | S. AG.

12 - Pump

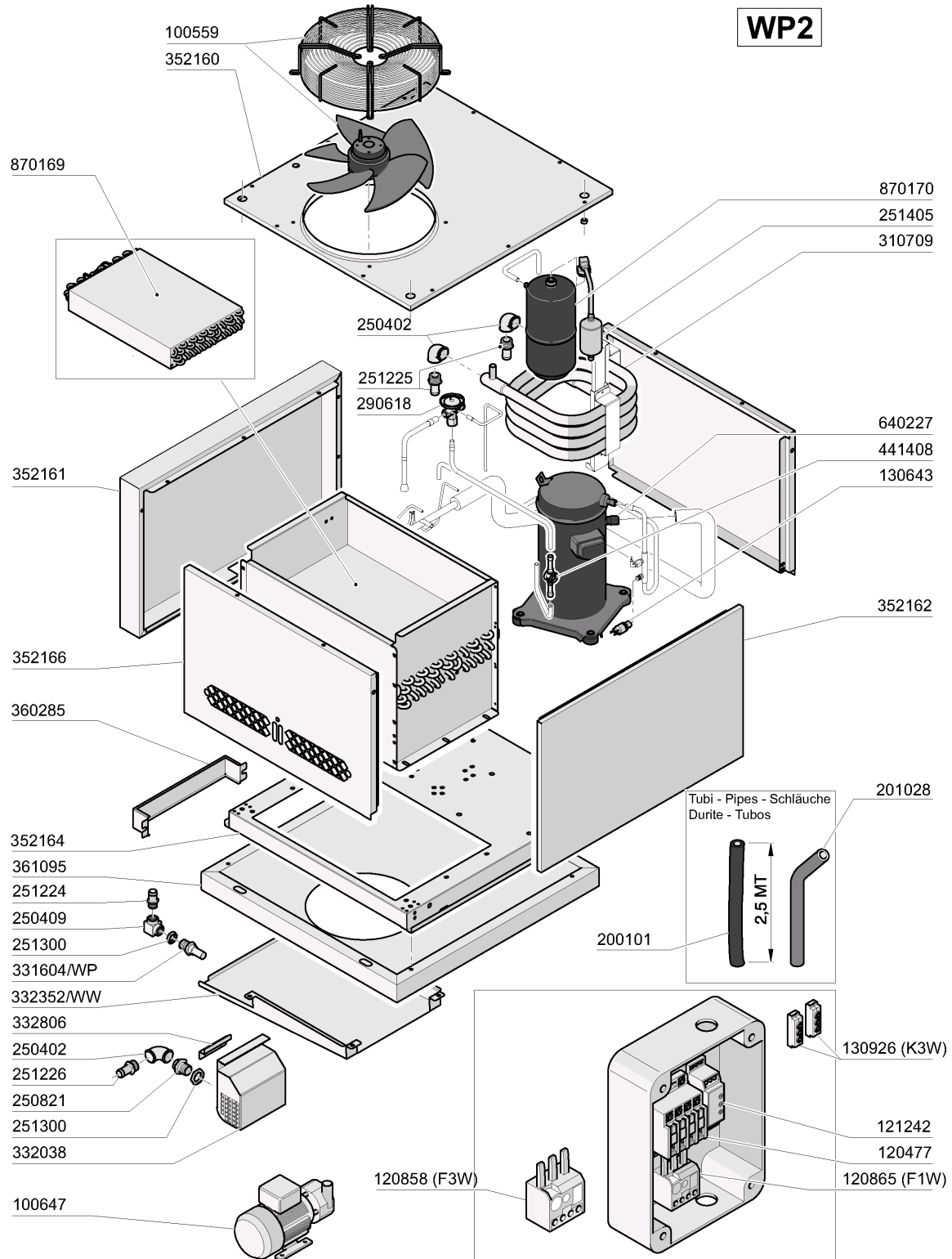
| CODE | DESCRIPTION |
|-------------|---------------------------------|
| 100697 | PUMP HP 4 230/400/50 SHE 50 |
| 100698 | PUMP HP 0,75-CEA120 (100789) |
| 100699 | PUMP 1HP 255/440 60HZ CE1206/1 |
| 100705 | PUMP HP0,75 220-380 60H(100792) |
| 100709 | PUMP HP 4 220/380/415V 60HZ |
| 100789 | PUMP HP 0,75 220/415V |
| 100792 | PUMP HP 0,75 220/415 |
| 100793 | PUMP HP 0,75 |
| 200848 | O-RING FOR PUMP 0,75 HP CEA 12 |
| 200948 | OR GASKET |
| 460525 | GASKET INLET ELBOW WASH PUMP |
| 460526 | GASKET DELIVERY ELBOW WASH P. |
| 630128 | PUMP VOLUTE 0,75HP CEA120/2 |
| 630518 | PUMP SEAL HP0,75 CE120 |
| 630520 | PUMP SEAL HP4-HTE50E |
| 630529 | SEAL FOR PUMP HP0,75 CEA120/2A |
| 631661 | IMPELLER PUMP 0,75HP LOW.CE120 |
| 631693 | IMPELLER FOR PUMP 100697 |
| 631694 | IMPELLER |
| 631696 | IMPELLER 60HZ FOR PUMP 100792 |



13 - Steam Version

| CODE | DESCRIPTION |
|--------|--------------------------------|
| 120165 | SOLE.N.VALVE ST.24V50HZ 3/4" |
| 120166 | STEAM SOLE.N.VALVE 1" 24V-50 |
| 150033 | CONNEC.F.SOLEN.VALVE 182.09.N |
| 240723 | STEAM COIL 12.000KCAL "GL" |
| 250804 | NIPPLES FOR STEAM COIL |
| 290409 | NIPPLE 3/4" |
| 290410 | NIPPLE 1/2" |
| 310603 | STRAINERS JU 1" MOD.45 |
| 310702 | STEAM TRAP 1/2" MK 25/3 |
| 330328 | STEAM BOILER G |
| 331387 | HOSE 3/4" |
| 450516 | THERMOSTAT SHIELD FOR 2 TERMOS |
| 630628 | KIT F.SOLEN.V.L153D1 3/4" |
| 630629 | KIT SOLENOID VALVE 1" STEAM L1 |
| 630972 | COIL Z534A/V.24-L145A-3/4 |
| 630976 | COIL Z114A/V24/50HZ L153-1" |

WP2



14 - Heat pumps WP2

| CODE | DESCRIPTION |
|-----------|--------------------------------|
| 100559 | FAN WP2-WP3 |
| 100647 | PUMP HP 0,20 220/240/3 4226 |
| 120477 | CONTACTOR ABB 9A 220V 50/60HZ |
| 120858 | OVERLOAD RELAY ABB 0,4-0,63A |
| 120865 | OVERLOAD RELAY ABB 6-8,5A |
| 121242 | TIMER LAV1000 |
| 130643 | HIGH PRESSURE PRESS.SWITCH WP |
| 130926 | CONTACT ABB 1NO |
| 200101 | RUBBER TUBE 25X35 |
| 201028 | OUTLET HOSE F. PREWASH 400MM A |
| 250402 | INOX ELL FF 3/4" |
| 250409 | INOX ELL FF 1/2" |
| 250821 | NIPPLES FOR STEAM COIL |
| 251224 | NIPPLE 1/2" WP |
| 251225 | NIPPLE 3/4" WP |
| 251226 | NIPPLE 3/4" WP |
| 251300 | S/S LOCK NUT 1/2" AC-ACR |
| 251405 | FILTER WP4 |
| 290618 | TERMOSTATIC VALVE WP2-WP3 |
| 310709 | GAS/WATER CONDENSER WP2 |
| 331604/WP | TUBO PER RICIR. ACQUA GE WP2/3 |
| 332038 | FILTER FOR PUMP |
| 332352/WW | PARASPRUZZI CAMINO GE60-65 WP2 |
| 332806 | BRACKET WITHOUT ASP.FILTER WP |
| 352160 | COVER WP2-WP3 |
| 352161 | BACK COVER WP2-WP3 |
| 352162 | FRONT COVER WP2-WP3 |
| 352164 | BASEMENT WP2-WP3 |
| 352166 | LEFT SIDE PANEL WP2-WP3 |
| 360285 | BACK COVER WP2/3 |
| 361095 | SUPPORT |
| 441408 | INDICATORE DI FLUSSO (WP) |
| 640227 | RICEVITORE LIQUIDO (WP2-WP3) |
| 870169 | EVAPORATORE (WP2-WP3) |
| 870170 | COMPRESSORE POMPA WP2 |